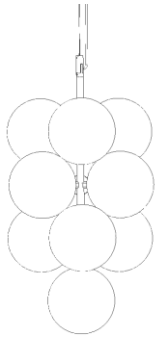


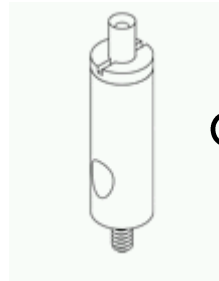
Holly Vertical Lamp

Assembly Instructions ver 1.0

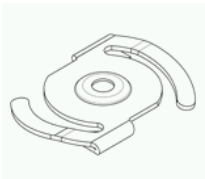
Including components:



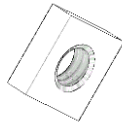
Holly (1x)



Gripper (1x)



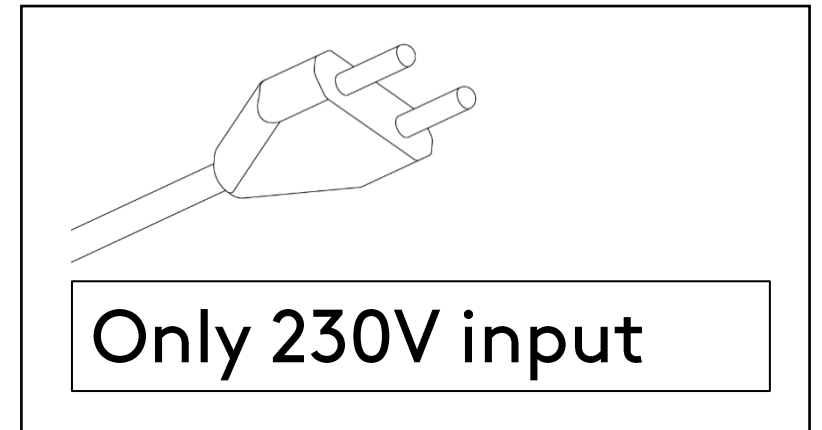
Ceiling bracket (1x)
(T24 profile)



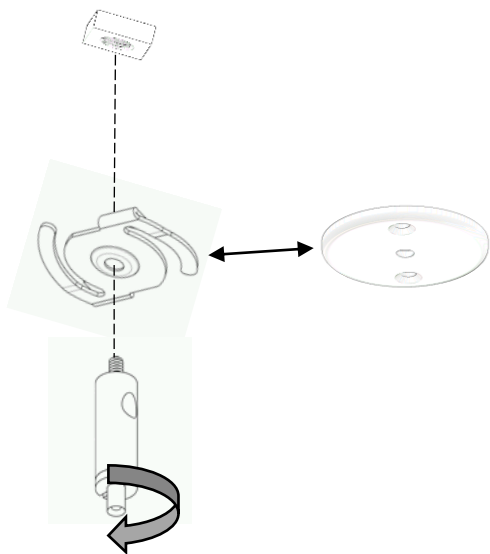
Nut M4 (1x)



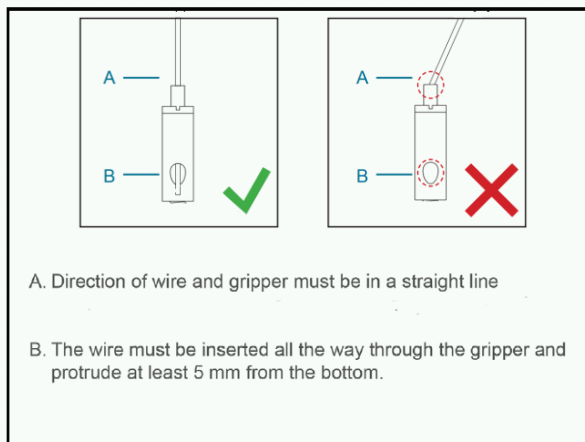
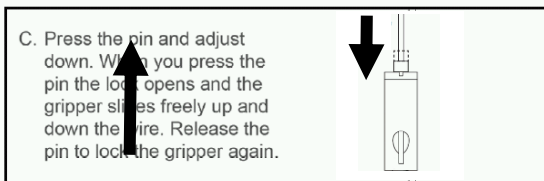
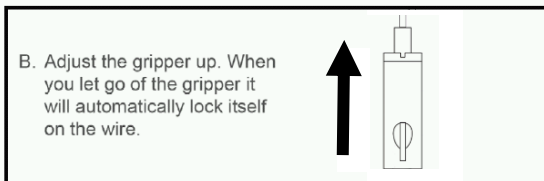
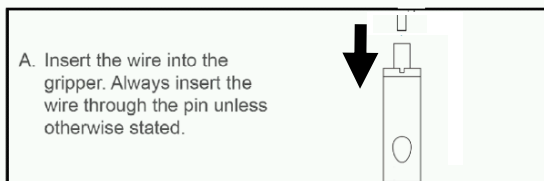
Roof bracket (1x)



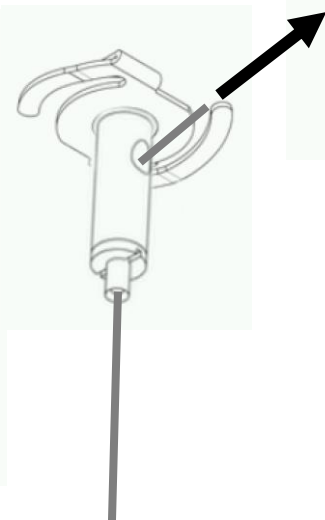
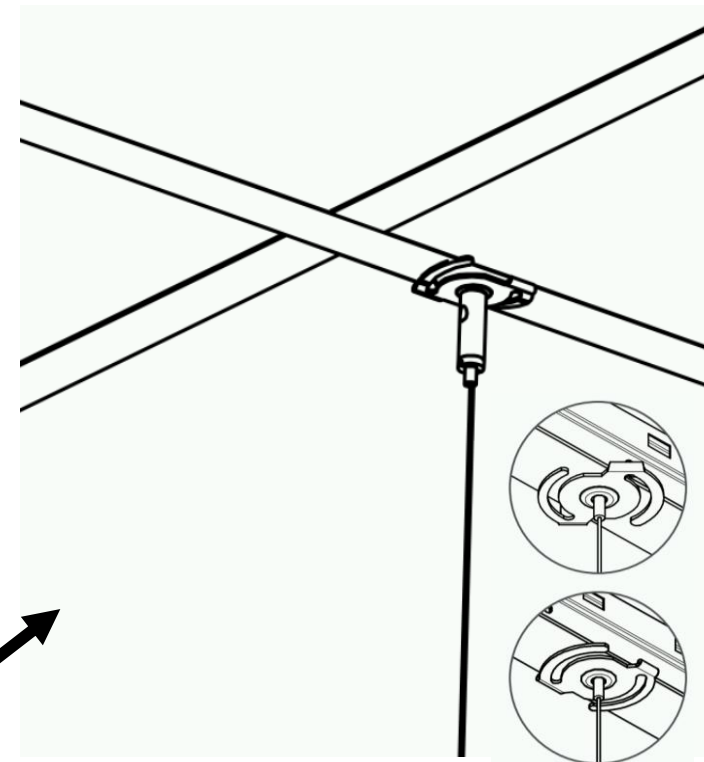
1.



2.



3.



For questions, contact Abstracta customer support

+46 472 26 96 00

Care instructions

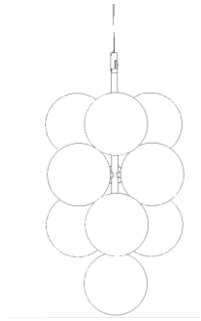
To maintain the color and appearance of the Holly, the product should be vacuum cleaned regularly with a soft nozzle.

Stain removal, dab or wipe gently with a damp cloth.

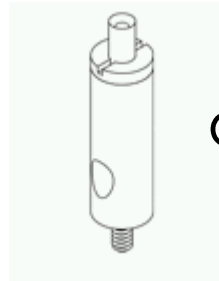
Holly Vertical

Assembly Instructions ver 1.0

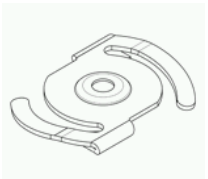
Including components:



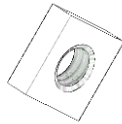
Holly (1x)



Gripper (1x)



Ceiling bracket (1x)
(T24 profile)

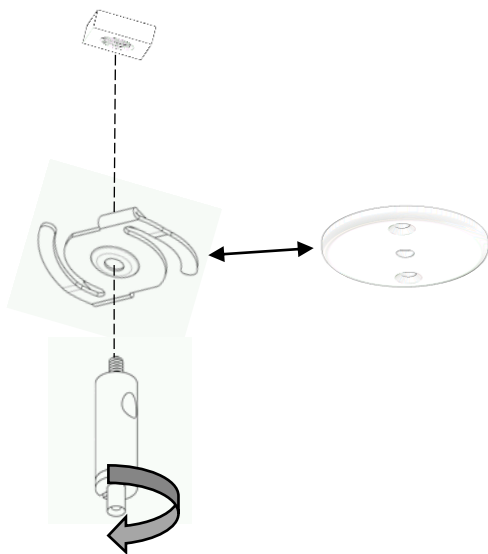


Nut M4 (1x)

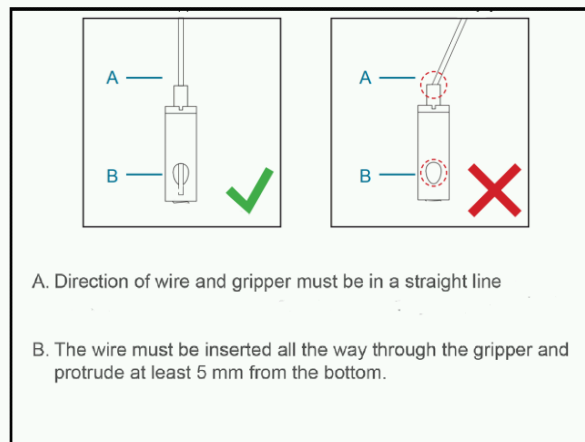
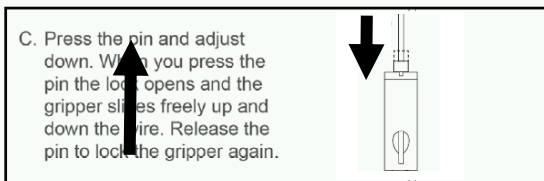
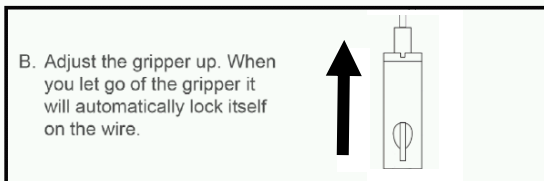
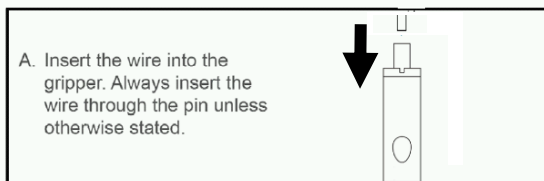


Roof bracket (1x)

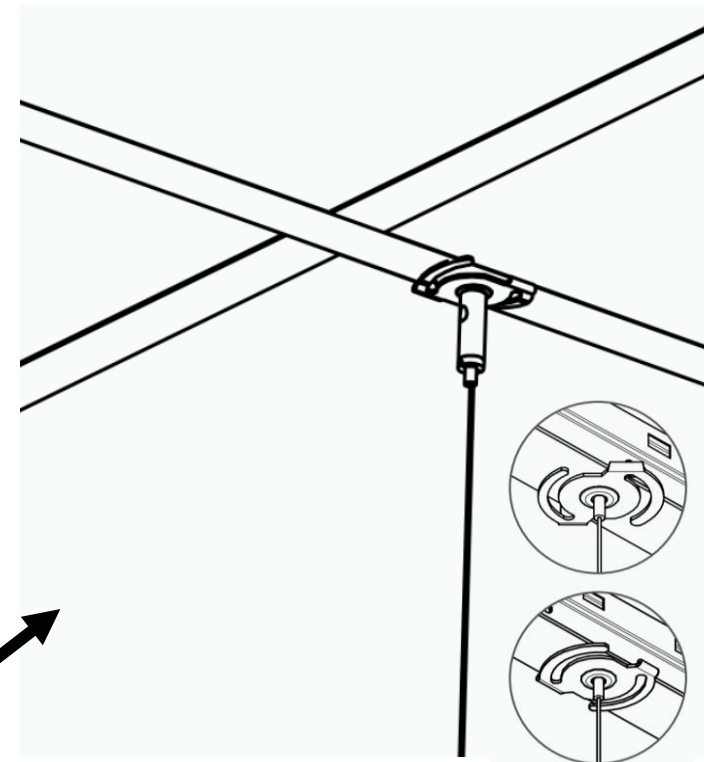
1.



2.



3.



For questions, contact Abstracta customer support

+46 472 26 96 00

Care instructions

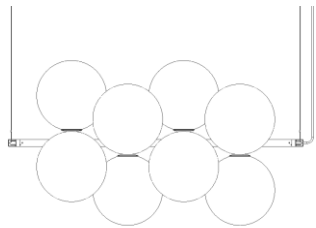
To maintain the color and appearance of the Holly, the product should be vacuum cleaned regularly with a soft nozzle.

Stain removal, dab or wipe gently with a damp cloth.

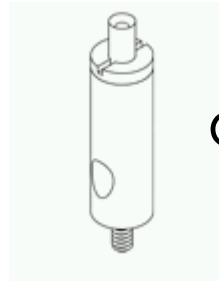
Holly Horizontal Lamp

Assembly Instructions ver 1.0

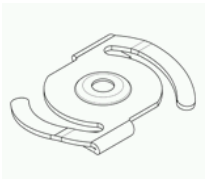
Including components:



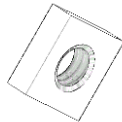
Holly (1x)



Gripper (2x)



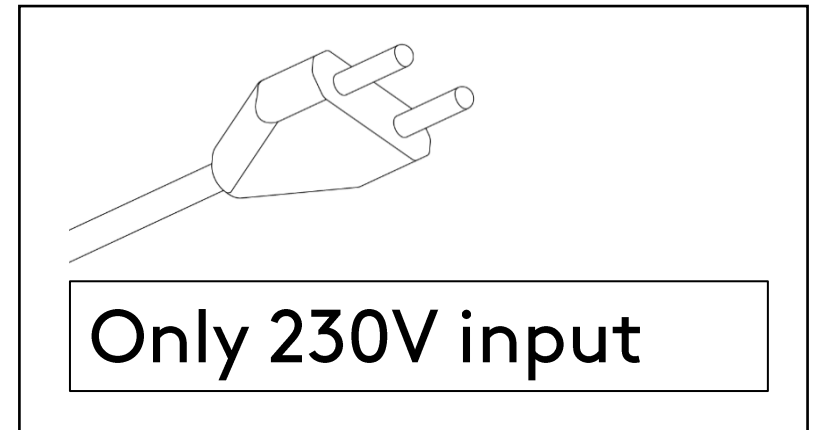
Ceiling bracket (2x)
(T24 profile)



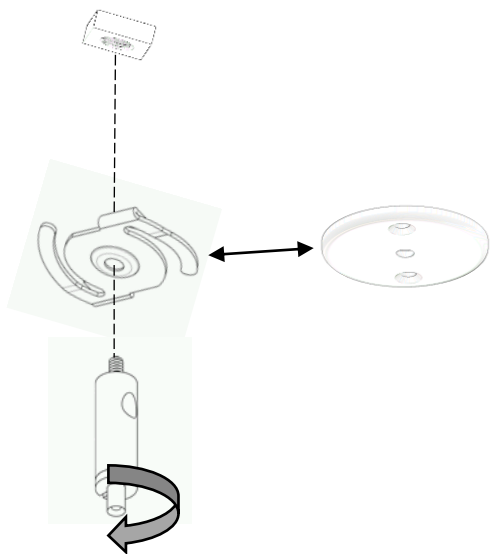
Nut M4 (2x)



Roof bracket (2x)



1.



2.

A. Insert the wire into the gripper. Always insert the wire through the pin unless otherwise stated.

B. Adjust the gripper up. When you let go of the gripper it will automatically lock itself on the wire.

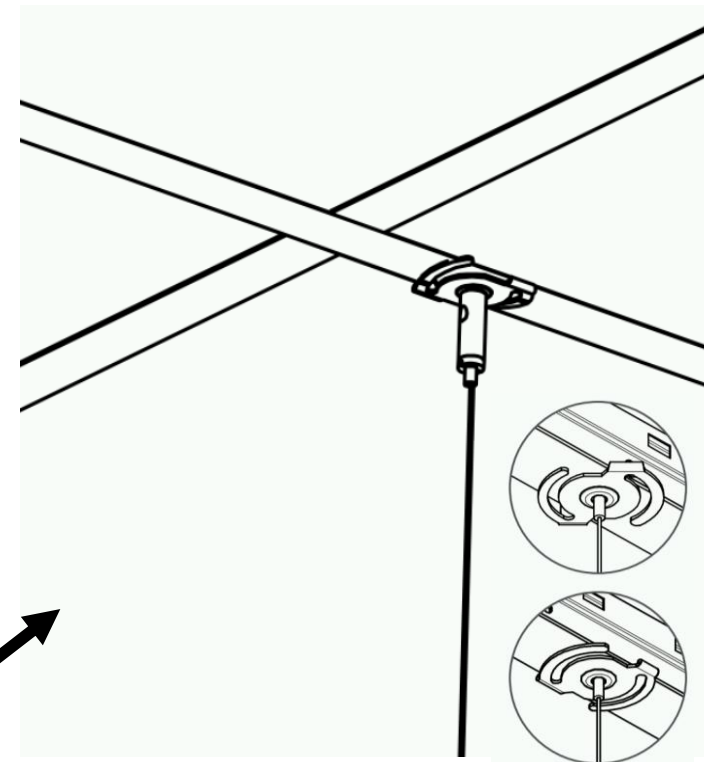
C. Press the pin and adjust down. When you press the pin the lock opens and the gripper slides freely up and down the wire. Release the pin to lock the gripper again.

A. Direction of wire and gripper must be in a straight line

B. The wire must be inserted all the way through the gripper and protrude at least 5 mm from the bottom.



3.



For questions, contact Abstracta customer support

+46 472 26 96 00

Care instructions

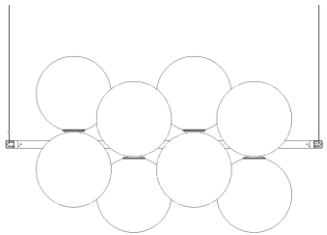
To maintain the color and appearance of the Holly, the product should be vacuum cleaned regularly with a soft nozzle.

Stain removal, dab or wipe gently with a damp cloth.

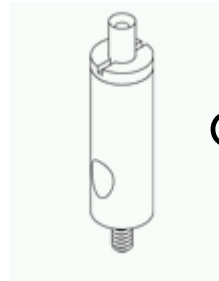
Holly Horizontal

Assembly Instructions ver 1.0

Including components:



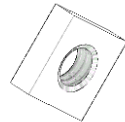
Holly (1x)



Gripper (2x)



Ceiling bracket (2x)
(T24 profile)

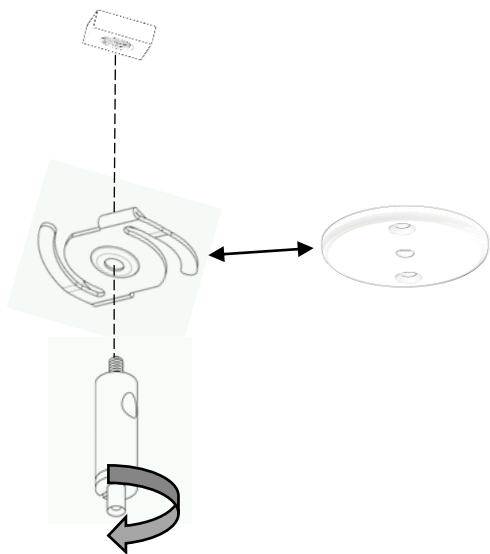


Nut M4 (2x)

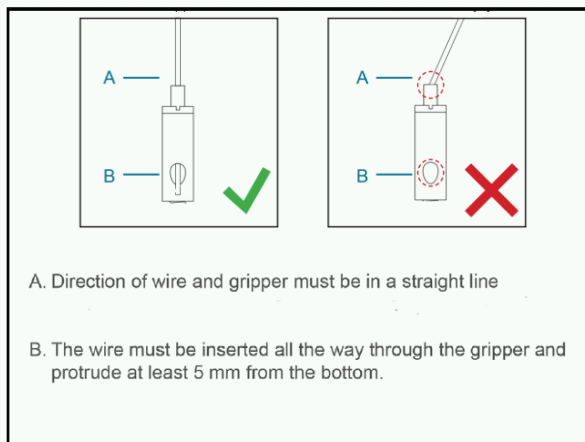
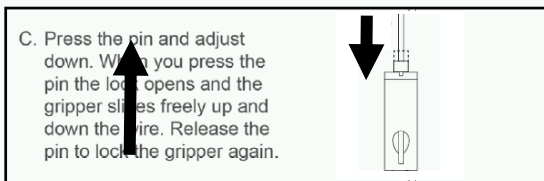
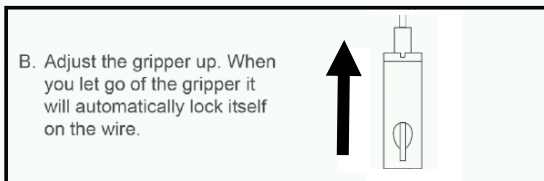
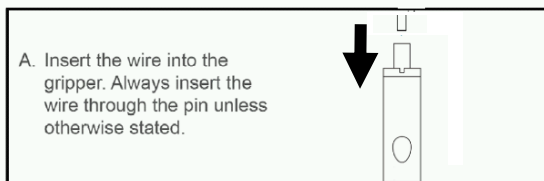


Roof bracket (2x)

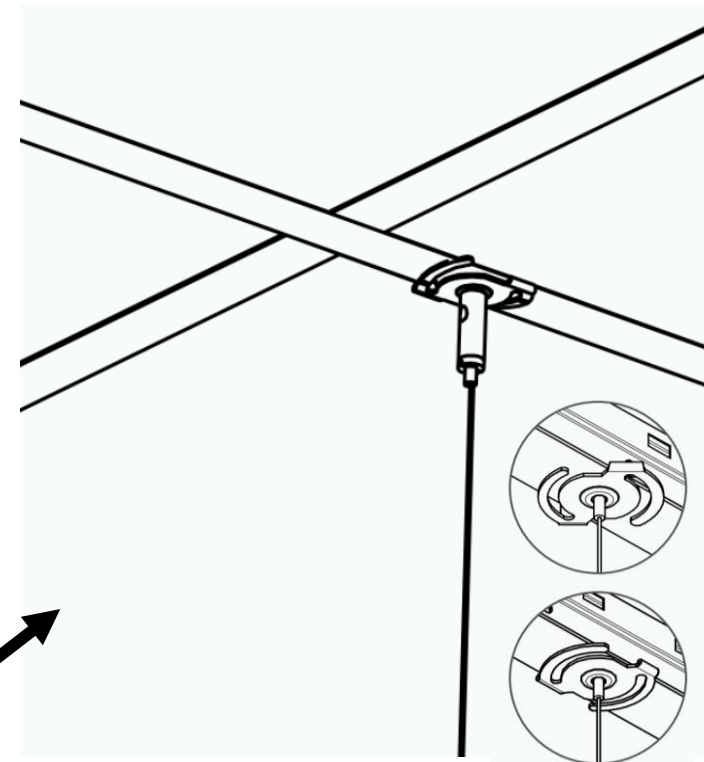
1.



2.



3.



For questions, contact Abstracta customer support

+46 472 26 96 00

Care instructions

To maintain the color and appearance of the Holly, the product should be vacuum cleaned regularly with a soft nozzle.

Stain removal, dab or wipe gently with a damp cloth.